

## INSTALLATION INSTRUCTIONS

DESCRIPTION: Low Seat Kit / Rally Seat Kit  
PART NUMBER: BW3-F47C0-V0 / BW3-F47C0-T0  
MODEL: '21+ Ténéré 700



### **⚠ WARNING**

Please read and understand these instructions completely before installation to avoid possible injury, or damage to the accessory or vehicle.

### **NOTICE:**

Installation of this kit requires a torque wrench and should be performed by an authorized Yamaha dealer or a qualified mechanic.

### **WARRANTY INFORMATION:**

In the United States, see your Yamaha dealer for a copy of the Yamaha Genuine Parts and Accessories Limited Warranty.

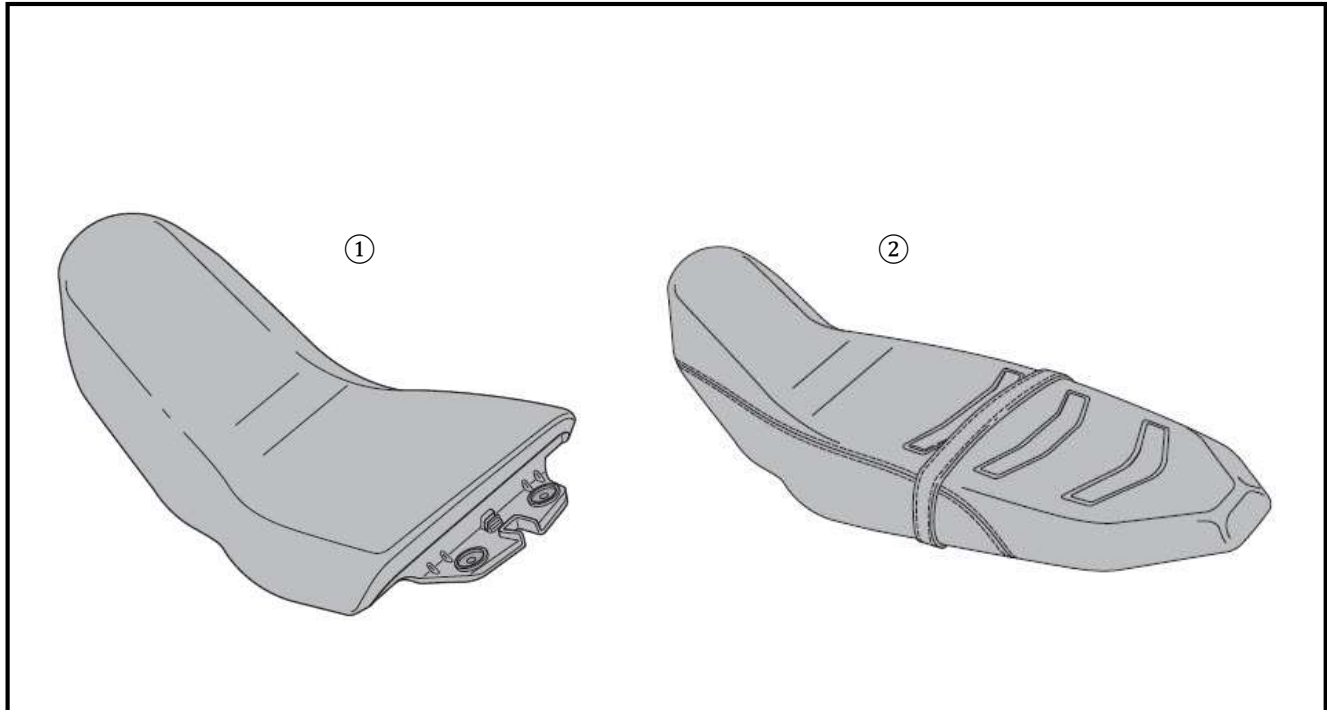
### **DEALER OR INSTALLER:**

These instructions contain important information for future reference and *must* be given to the customer.

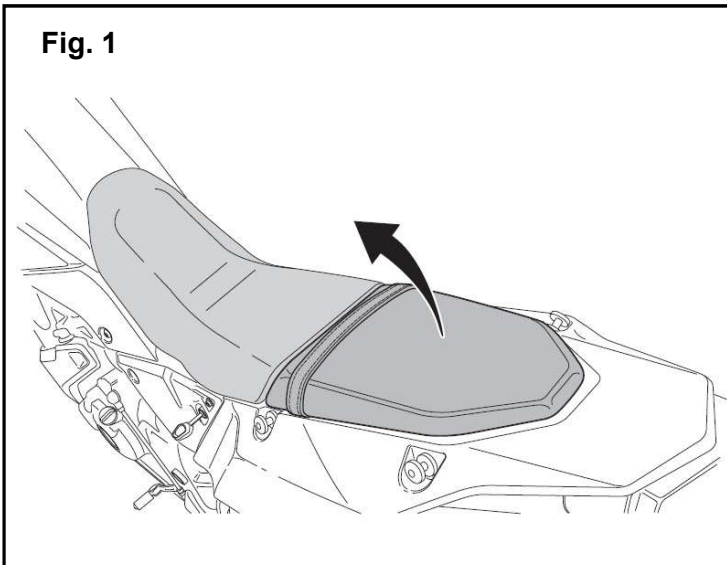
### **PARTS LIST:**

No.	Part Number	Description	Qty
--	BW3-F47C0-V0	Low Seat Kit	-
--	BW3-F47C0-T0	Rally Seat	-
①	-	Low Seat	1
②	-	Rally Seat	1

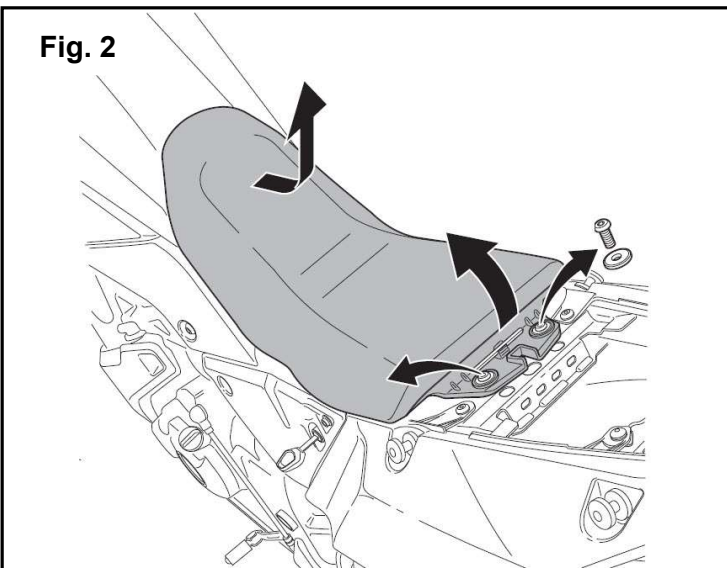
\* Part supplied with kit only and not available separately.



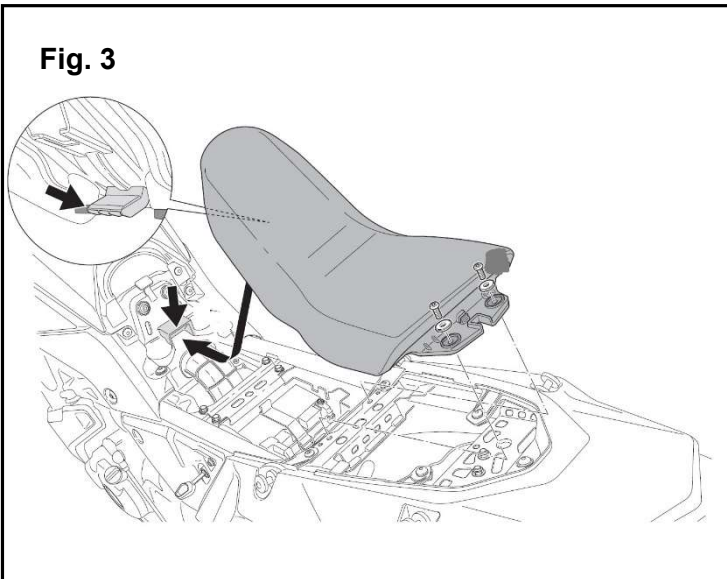
**Fig. 1**



**Fig. 2**



**Fig. 3**



**PREPARATION:**

- Place the vehicle on a secure and level surface.
- Clean all mounting surfaces before beginning installation.

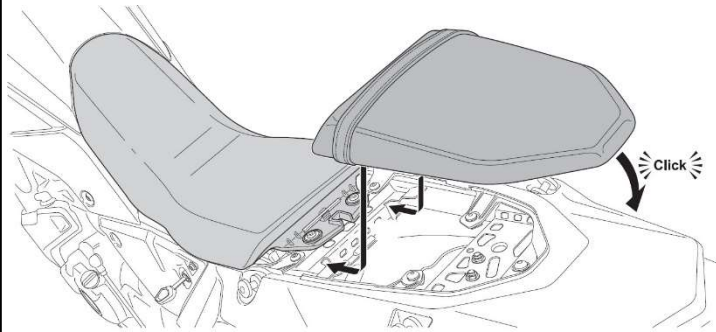
**INSTALLATION: Low Seat**

1. Remove the original passenger and rider seats per the Owner's Manual. Retain the bolts for reuse. (Fig. 1 and 2)
2. Install the ① Low Seat. Fit the tab in the seat into the projection on the frame cross member as shown, and then align the seat into the original position. (Fig. 3)
3. Install and tighten the stock retaining bolts. (Fig. 3)
4. Fit the passenger seat tabs into the two projections in the frame. (Fig. 4)
5. Push the rear of the seat down to lock it in place down. It will click and lock into position. (Fig. 4)

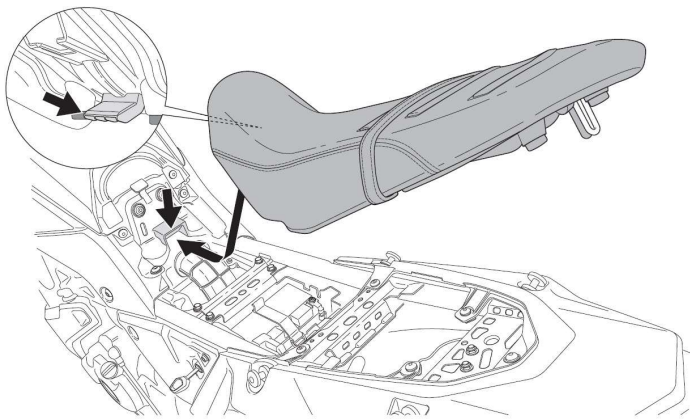
**INSTALLATION: Rally Seat**

1. Remove the original passenger and rider seats per the Owner's Manual. The hardware is not retained. (Fig. 1 and 2)
2. Install the ② Rally Seat. Fit the tab into the projection on the frame cross member as shown and latch the frame tabs to the frame. Press the seat into the rider and passenger locations. (Fig. 5)
3. Push the rear of the seat down to lock it in place down. It will click and lock into position. (Fig. 6)

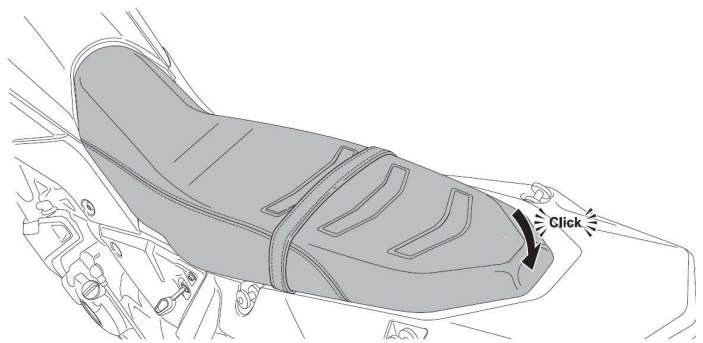
**Fig. 4**



**Fig. 5**



**Fig. 6**



**MAINTENANCE:**

Periodically, check torque on all hardware. If loose hardware is found, re-torque to specification.

**CARE AND CLEANING:**

Clean painted metal parts with a clean soft cloth and mild soap and water solution. Rinse and dry.

**CUSTOMER SERVICE:**

For further information see your Yamaha dealer.

**ESTIMATED TIME TO INSTALL: 0.1 HRS.**